

BIOLOGICAL PARTS WASHER

Solvent Free - OCEAN Stainless Steel L – XL - XXL

Technical Sheet

SRI_EN_FT_v1.1
03/11/2015

1. TECHNICAL CHARACTERISTICS



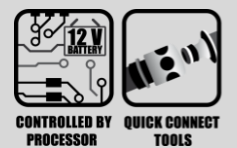
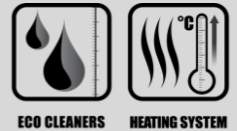
	L	XL	XXL
Dimension (mm)	L 845 x w 640	L 1280 x w 700	L 1600 x w 700
Height (mm)	H 1020 Working height : 890		
Tank capacity	80 to 100L		
Pump Flow	1140 L / H – electromagnetic pump		
Heating	1,3 KW		
Elect. consumption	260 W/H (reduce by 25% Elect. With the ECO MODE)		
Payload	130 kg – Thickness of the metal sheet : 1,5cm		
Temperature	38°C (to 43°C with the BOOST Mode → +50% for the cleaning efficacy)		
Composition	Stainless Steel		
Drain	H 410 Drain Hose		
Electricity	230 V		
Filtration	Filtre centrale panier 700 μ - Stainless Steel Filter		
Mode	ECO & BOOST Mode		

2. PRINCIPLE OF OPERATION

The Ocean Stainless steel cleans your parts without solvent while respecting the operators health and safety.

It is basically based on a natural regeneration using micro-organisms to transform pollutants into energy and food.

- Cleaning concept based on :
 - ↳ A cleaning solution unlabeled, heated to 38°C
 - ↳ Micro-organisms TABS, regenerating the solution
- Size : L, XL, XXL
- Electromechanical interchangeable kit fitted with a digital screen
- ECO & BOOST Mode
- Filtration : Central filter



MAIN CHARACTERISTICS

- Stainless Steel
- Ergonomic Design
- Control Box with processor

MAIN BENEFITS

FOR USERS

- Operators Health
- Cleaning Efficacy
- Control of the budget
- Environment

ADDITIONAL PRODUCTS

- 1 – BLUELIQUID Cleaning Solution
- 2 – BLUETABLET

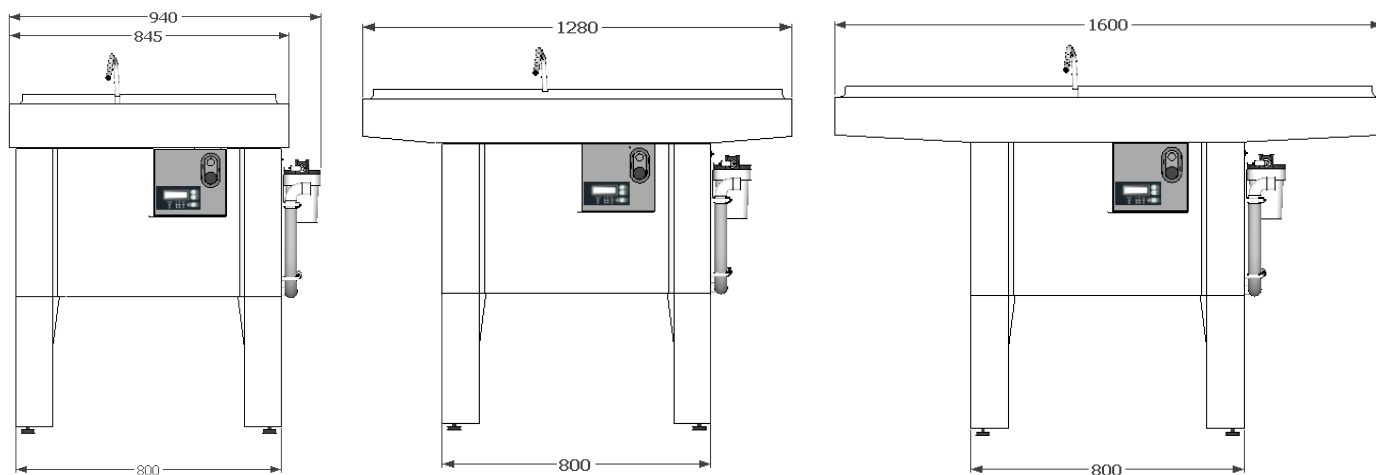
BIOLOGICAL PARTS WASHER

Solvent Free - OCEAN Stainless Steel L – XL - XXL

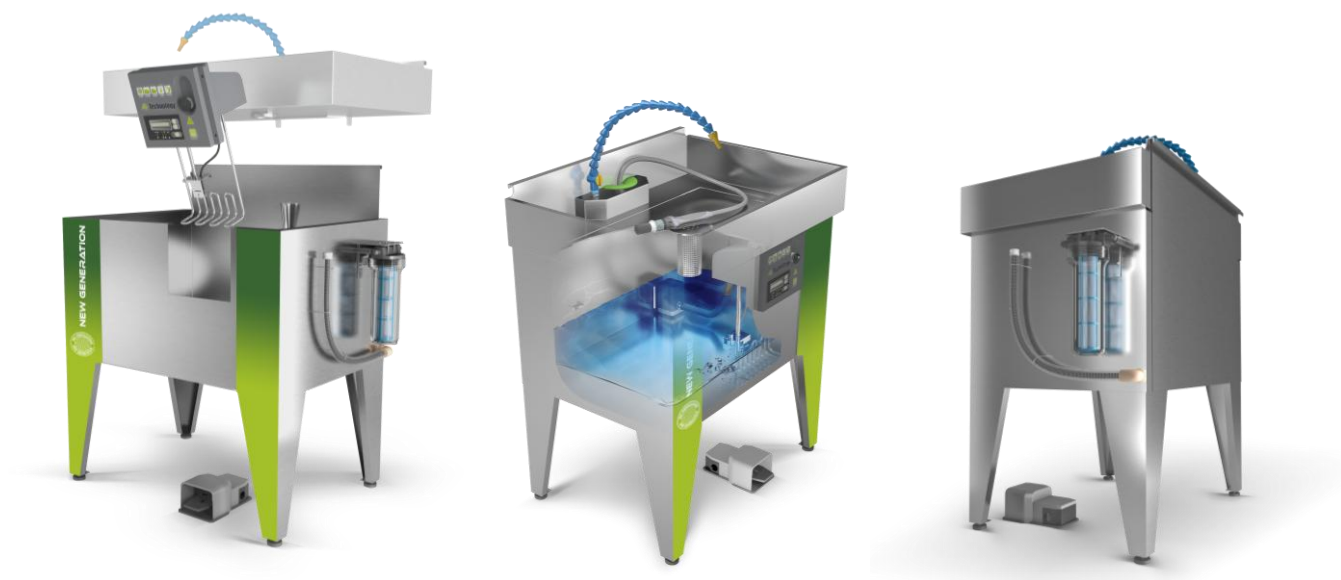
Technical Sheet

SRI_EN_FT_v1.1
03/11/2015

3. EXPLODED VIEWS



4. 3D VIEWS



5. OPTIONS

- Sprinkle
- 100 µ Cartbridge filter : washable and reusable
- pump control pedal
- Wheels
- rubber grating
- Soaking Tray